

## Y25 Bogie

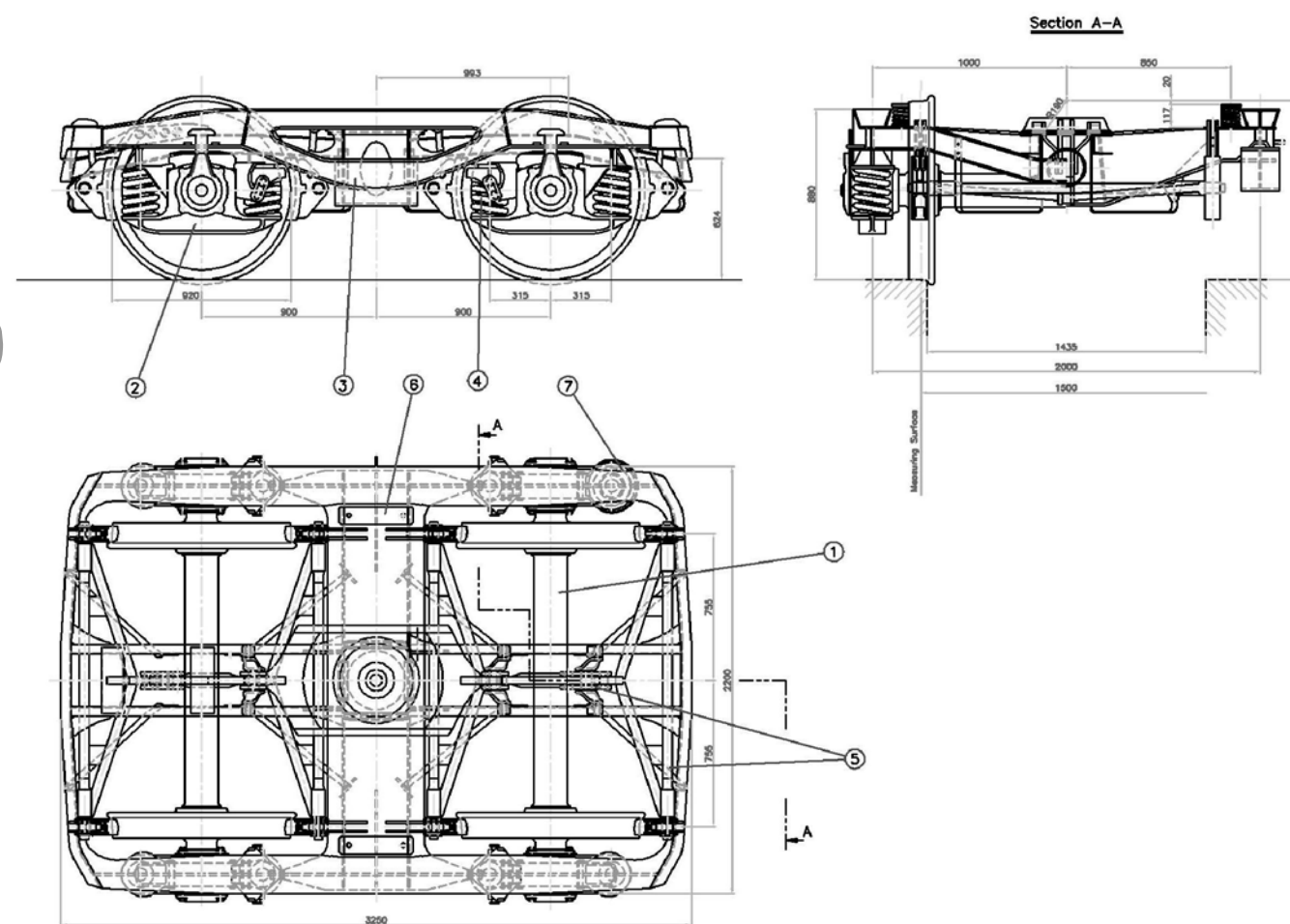
### Bogie Description

The bogie designed for international gauge and consists of a welded frame and coil spring suspension. Suspension damping is by means of a LENOIR type friction device. The axle is according to UIC 811-1 normalized and the wheel is monoblock type according to UIC 812-3. Wagon Pars Company has produced 1948 sets of bogie type Y25 for Syrian Railway and 1098 sets for RAI up to now.



### Bogie Layout

Y25 Bogie



### Technical Parameter

■ Track gauge	1435 mm	■ Wheel type	monoblock
■ Min. Radius	75 m	■ Wheel diameter	920/840 mm
■ Max. axle load	20 ton	■ Bogie weight	4500 kg
■ Speed	100/120 km/h	■ Brake shose	Casting
■ Wheel base	1800 mm	■ Spring type	coil spring