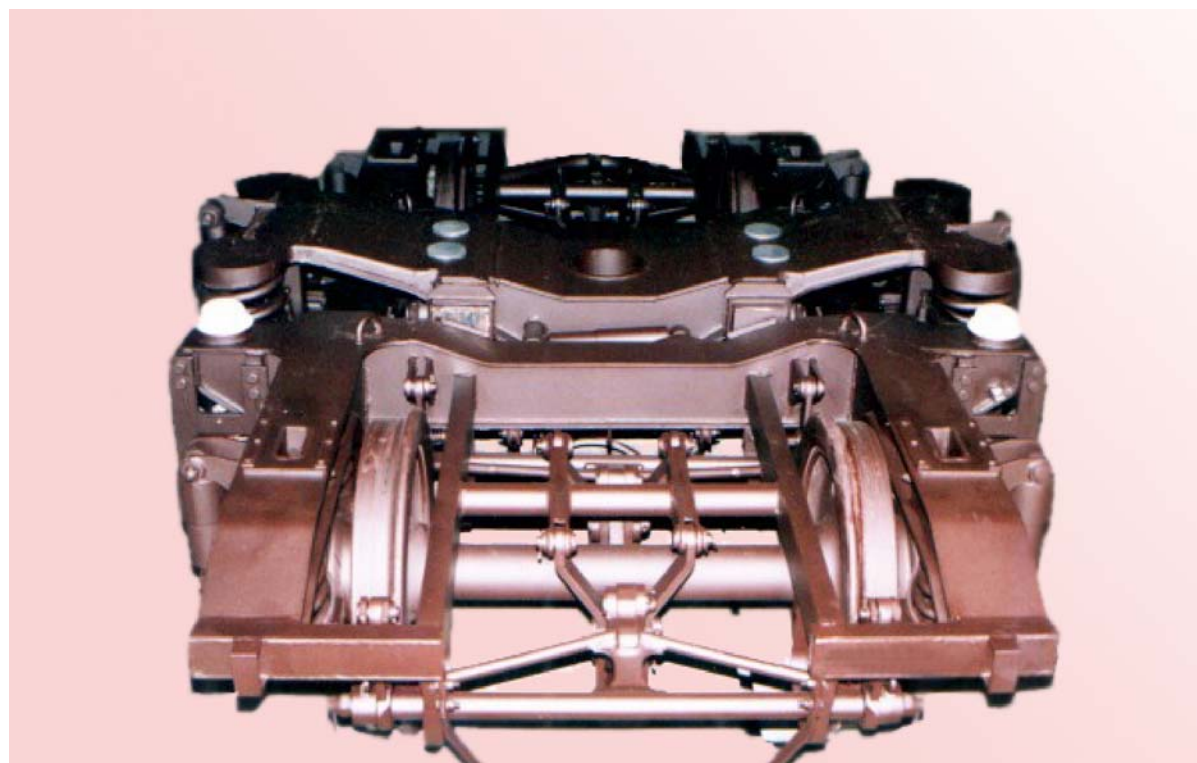




Wagon Pars Co.



MD52-M Bogie

Bogie Description

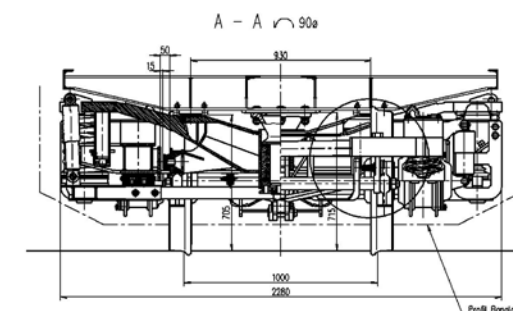
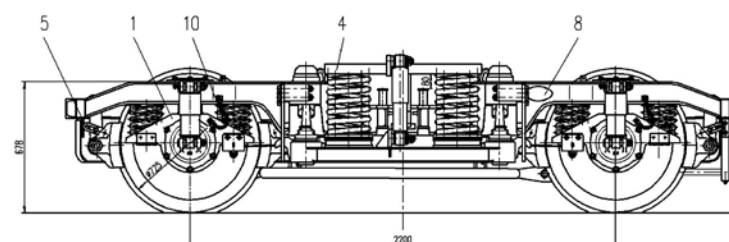
The bogie type MD52-M was originally designed and manufactured by M/S Wagon Union, GmbH, Germany. This Company being acquainted with the name of Bombardier transportation GMBH .

Wagon Pars Company has produced 144 sets of bogie type MD52-M for BR by technology transfer from Bombardier transportation Co. and now has contracted with CRC for production and delivery of 164 sets of this bogie type for The Bangladesh Railways. These bogies will be used under the passenger wagons which will be manufactured by CRC.

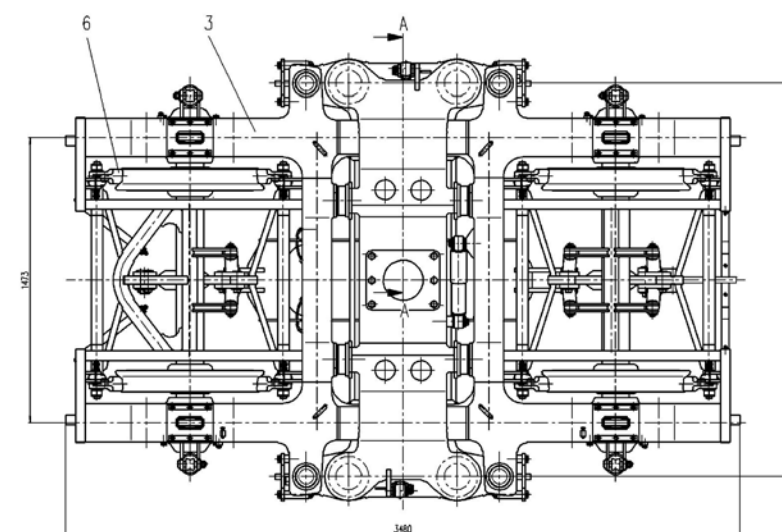


Wagon Pars Co.

Bogie Layout



MD52-M Bogie



Technical Parameter

■ Track gauge	1000 mm	■ Wheel type	retyreable
■ Min. Radius	91.4 m	■ Wheel diameter	725/695 mm
■ Max. axle load	10 ton	■ Bogie weight	4510 kg
■ Speed	100 km/h	■ Brake shoe	Casting
■ Wheel base	2200 mm	■ Spring type	coil spring

